



EPIA-SEMI PV Standards Technical Committee

Daniel Fraile Montoro

Slide 1

KD1

KD; 19/03/2004

Why a EPIA-SEMI PV Standards Technical Committee?

1. European procedures are too complicated to follow and too low
1. Not enough influence of the Industry on what the standard institutions are developing
2. Unclear added value for the end-user
3. Develop only useful standards for the industry

Benefits of EPIA-SEMI PV Standards Technical Committee

1. SEMI Standards have an excellent development time when compared with other Standards Developing Organizations.
2. The Standards will be developed by the industry for the industry (volunteers assigned by their companies):
 - > *Integration of the Industry inside the standardisation process will achieve the Development of the 'right' standards*
3. Global Scope
4. Easy Participation (most communication is electronic with increased usage of teleconference and web-based applications)

Benefits for the Industry

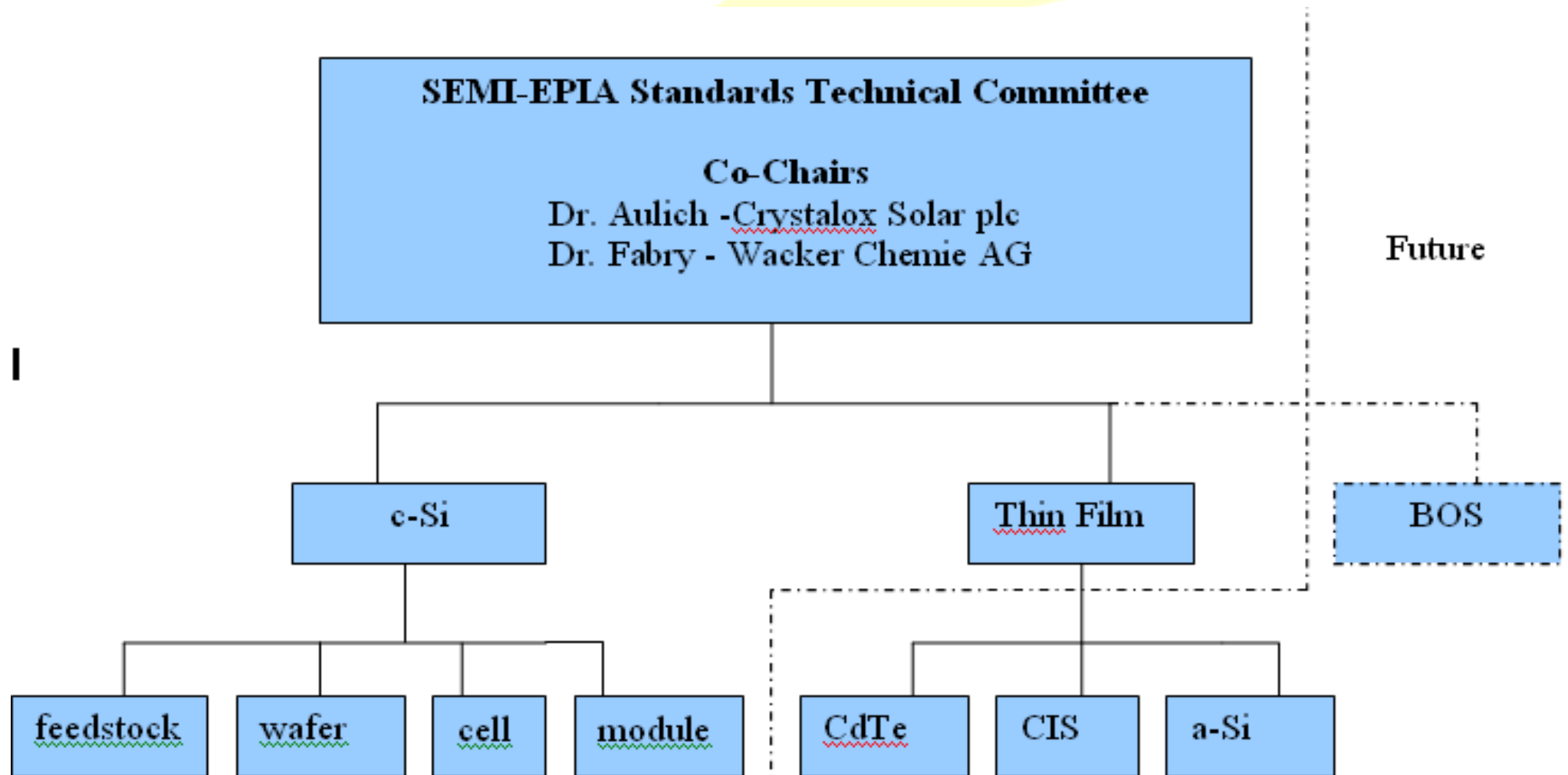
New or improved standards will contribute to:

- Reduce costs in design, production and deployment
- Foster fair and transparent competition

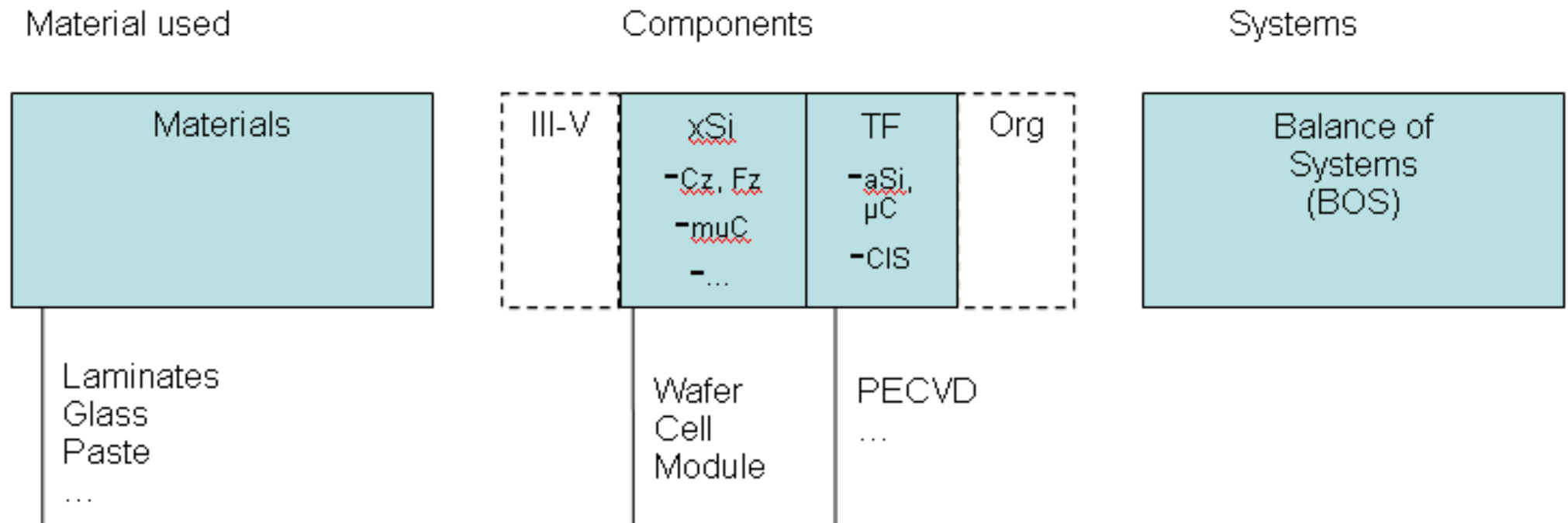
EPIA-SEMI PV Standards Technical Committee

- **Aim:** Implementation of new standards (Quality & Performance) and update of the existing ones.
- **Scope:** Materials, Equipment, Process (early phase of value chain)
- **Co-Chairs:**
 - Dr. Hubert Aulich (Crystalox Solar)
 - Dr. Laszlo Fabry (Wacker chemie)
- **Current Activities:**
 - Defining the Structure of the Committee (by products, by markets, by specific request from the Industry, etc.)
 - Gathering the industry needs (questionnaires)
 - Creating the first Taskforces

Possible Structure by Products



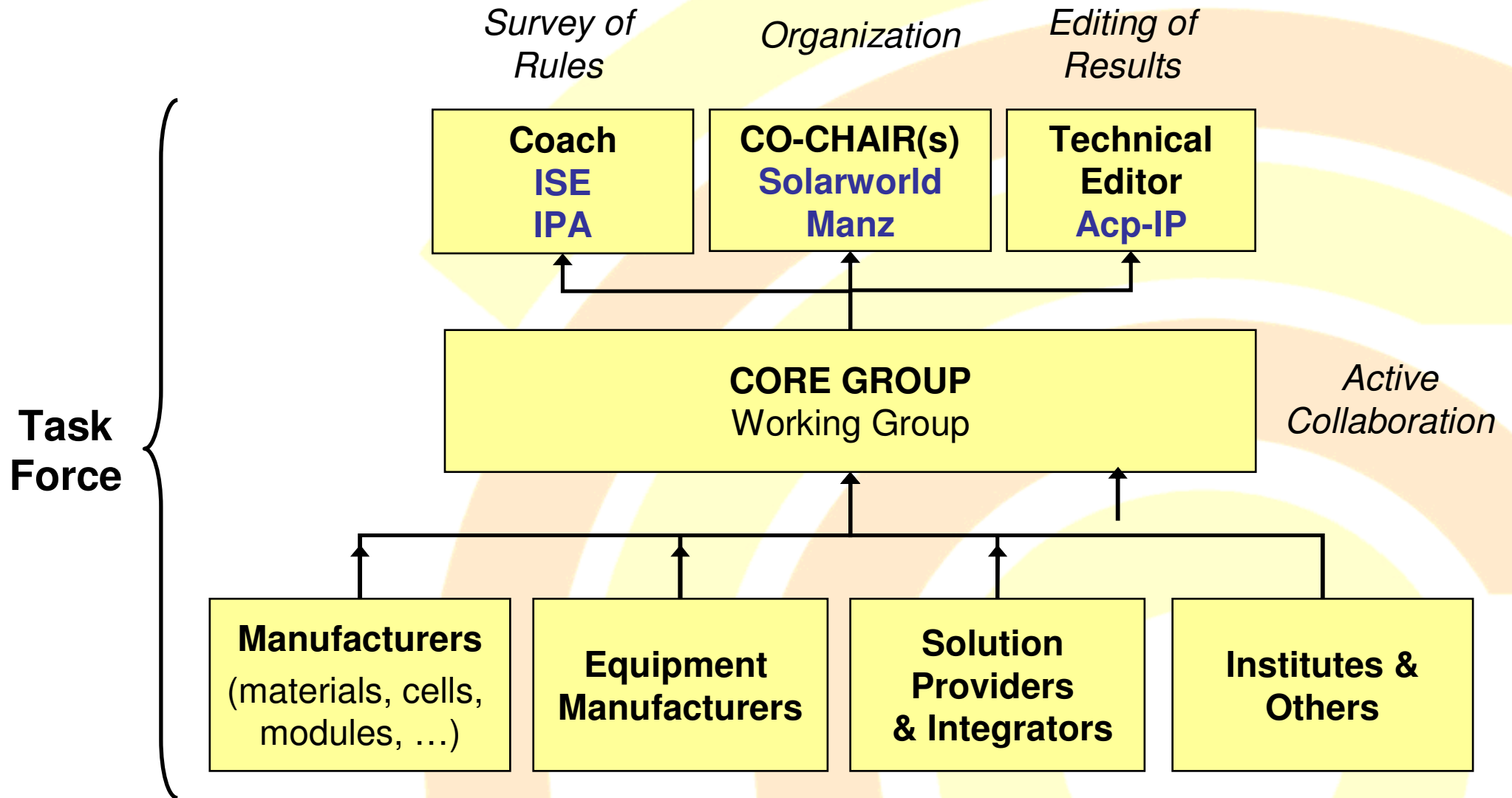
Possible structure by Markets



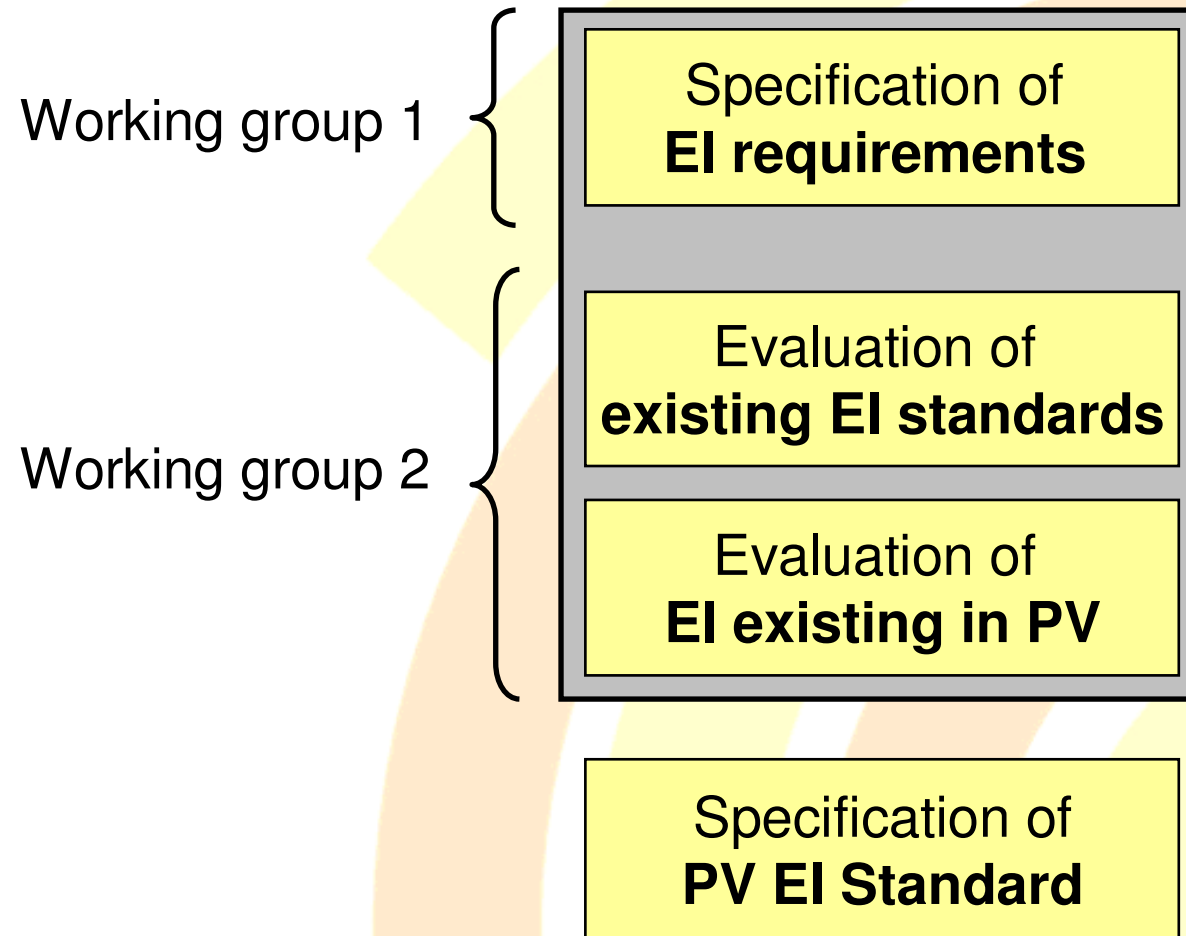
First Task Force on EIS (Equipment Interface Specifications)

1. Creation of the Task Force and nomination of the leadership (Milan, 7th September 2008)
2. Definition of structure, working group and participant (Stuttgart, 10th October)
3. Expected publication of the Standards (October 2008)

PV-EIS Task Force - Structure



Working Group: Scope and structure



Work Group 1 – Sign Up / Lead

Task: "Specification of EI requirements"

Lead: M. Boltz, acp-IT

Equipment Manufacturers:

- Oerlikon
- Manz

Manufacturers (material, cells, modules):

- Ersol
- DC
- Conergy
- Q-Cells

Solution Providers / Integrators:

- AIS
- Camline
- acp-IT
- Cimetrix

Institutes and Others:

- IPA
- ISE

Work Group 2 – Sign Up / Lead

Task: “Evaluation of existing interfaces and standards“

Lead: M. Glaser, Manz

Equipment Manufacturers: Manufacturers (material, cells, modules)

- Centrotherm
- Manz
- Rofin SINAR
- R&R

Solution Providers / Integrators: Institutes and Others:

- Siemens
- acp-IT
- AIS
- Cimetrix

Thanks for your attention

**All of you are welcomed to participate in the
SEMI-EPIA program for PV standards**